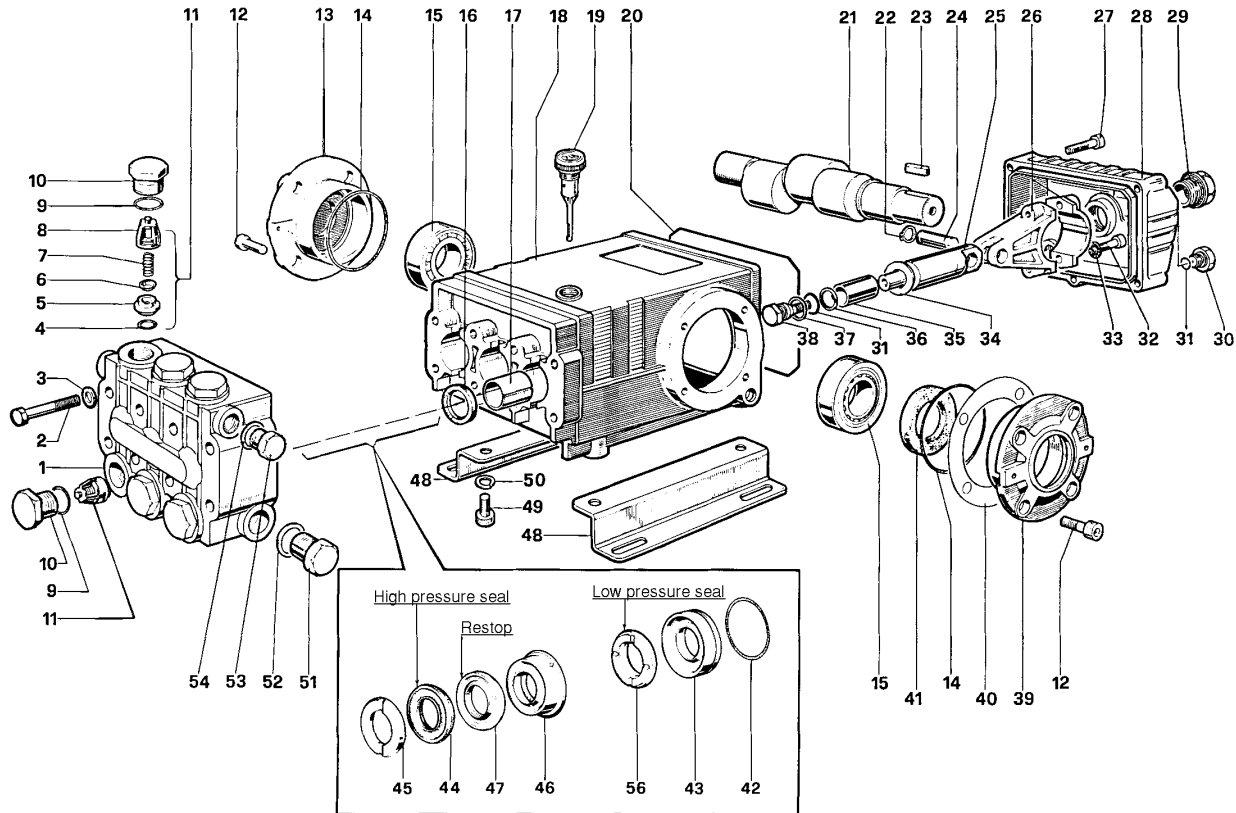


# T Series 47 S – 22 mm x 16 mm

## GENERAL PUMP

A member of the Interpump Group



### PARTS LIST

ITEM	PART NO.	DESCRIPTION	KIT NO.	QTY.	ITEM	PART NO.	DESCRIPTION	KIT NO.	QTY.	ITEM	PART NO.	DESCRIPTION	KIT NO.	QTY.
1	47120841	Manifold, Brass		1	19	98210600	Oil Dip Stick		1	37	96728000	Washer	6	3
	47120941	Manifold, Nickel-Plated (T1621-N)		1	20	90392200	O-Ring, Cover		1	38	47219566	Screw, Plunger	6	3
2	99320600	Screw, M8 x 70		8	21	47021735	Crankshaft		1	39	47150022	Cover, Crankcase		1
3	96702000	Washer, M8.4		8	22	90055700	Ring, Snap		6	40	97567800	Shim		2
4	90384100	O-Ring, .674 x .103	1	6	23	91489000	Key		1	41	90164800	Seal, Oil	3	1
5	36200366	Seat, Valve	1	6	24	97738000	Pin, Wrist		3	42	90361600	O-Ring, 1.364 x .070	14, 29	3
6	36200176	Plate, Valve	1	6	25	47050554	Guide, Plunger		3	43	47080670	Retainer, Packing	14, 29	3
7	94737600	Spring	1	6	26	47030001	Rod, Connecting		3	44	90272500	Packing	29, 148	3
8	36200251	Guide, Valve	1	6	27	99191200	Screw, M6 x 30		5	45	46100051	Ring, Head, M22	11, 29	3
9	90384700	O-Ring, .797 x .103	4, 5	6		99183700	Screw, M6 x 14 (T921)			46	47217070	Intermed. Ring	29, 149	3
10	98222000	Cap	4	6	28	47160122	Cover, Crankcase		1	47	90273000	Restop Ring	29, 148, 149	3
	98222200	Cap, Ni-Plated (T1621-N)	5			47160022	Cover, Crankcase (T921)			48	47200074	Pump Feet		2
11	36703201	Valve Assembly	1	6	29	97596800	Oil Indicator		1	49	99364400	Screw, M10 x 18		4
12	99303900	Screw, M8 x 16		8	30	98204100	Cap		1	50	96710600	Washer, M10.2		4
13	47150122	Cover, Crankcase		1	31	90358500	O-Ring, .426 x .070	6	4	51	98217600	Cap		1
14	90391300	O-Ring, 2.675 x .103		2	32	99309900	Screw, M8 x 35		6	52	96751400	Washer, M21.5		1
15	640047	Bearing, Roller		2	33	96701400	Washer, M8.4		6	53	98210000	Cap		1
16	90162500	Seal, Oil	2	3	34	96728600	Washer, M14		6	54	96738000	Washer, M17.5		1
17	90912600	Bushing		3	35	47040509	Plunger, (22 mm)		3	56	90272800	Seal, Low Press., 22mm	29, 148	3
18	47010522	Crankcase		1	36	90506700	Ring, Back-up		6					

### REPAIR KITS

KIT NO.	1	2	3	4	5	6	11	14	29	148	149
ITEM NO.s INCLUDED IN KIT	4, 5 6, 7, 8 (11)	16	41	9, 10	9, 10	31, 34, 36, 37, 38	45	42, 43	42, 43, 44, 45, 46, 47, 56	44, 47, 56	46, 47
NUMBER OF ASSEMBLIES IN KIT	6	3	2	6	6	3	6	3	1	3	3
NUMBER OF CYLINDERS KIT WILL SERVICE	3	3	-	3	3	3	3	3	1	3	3

### TORQUE SPECS\*

Position	Ft.-lbs.
2	22.1
10	73.7
12	14.7
27	7.3
29	13.2
30	14.7
32	14.7
38	14.7
49	29.4
51	29.4
53	29.4